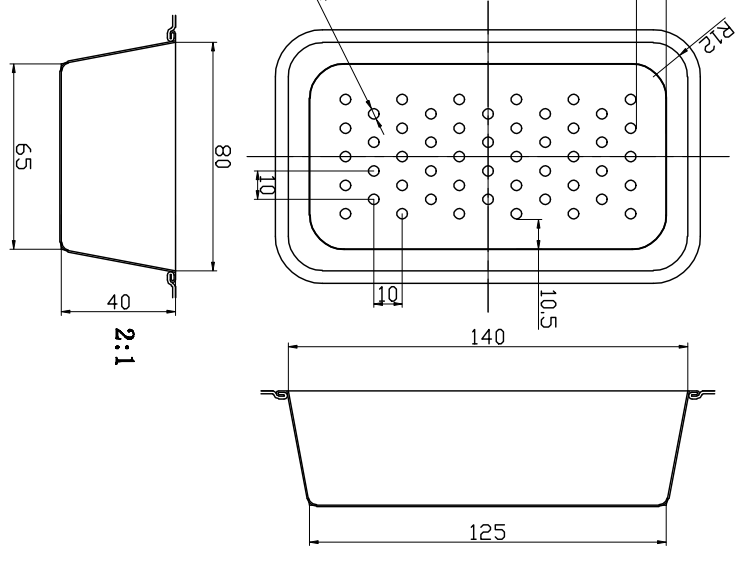


U-shaped Crossmember



Client Approval		Checked By	Drawn By
Date		Page	1/1
Product	20 cups Rectangle mold		
Material	Pan: Alu Steel T=1.0mm Cup: Alu Steel T=0.5mm		
Coating	TEFLON		
Size	500*700*45		